



Premium quality
Made in Germany



weinor Livona/LED

weinor Livona with roof/LED/Valance Plus |
weinor Livona without roof/LED/Valance Plus |
weinor Livona MiniMax with/without roof



Contents

Product highlights	4	weinor hard wired	17
Awning fabrics	7	Tempura heating system	21
Frame colours	7	Planning/measuring	22
weinor Livona option Valance Plus	8	weinor roller support	23
weinor Livona LED	10	Cross-sections	24
BIConnect remote control	12	Installation options	26
Somfy radio technology	14	Extraction forces	30

weinor Livona: puristic and innovative –
the open awning that creates atmospheric
textile living



The weinor Livona open awning shows more fabric than ever. The basis of the puristic, minimalist design is intelligent technology: an almost invisible carrier bar and particularly slim front profile. Up to a width of 6 metres the weinor Livona needs only two fixing brackets for a floating appearance. On the LED version of the weinor Livona, the unique light rings on each end of the awning and the slim LED light bar emit a fascinating and warm LED light. The weinor Livona is available with or without the protective aluminium roof in a wide range of options.

weinor Livona highlights



47 frame colours
and 9 trend colours



10-year warranty on
LongLife arm



weinor Livona
with roof and LED



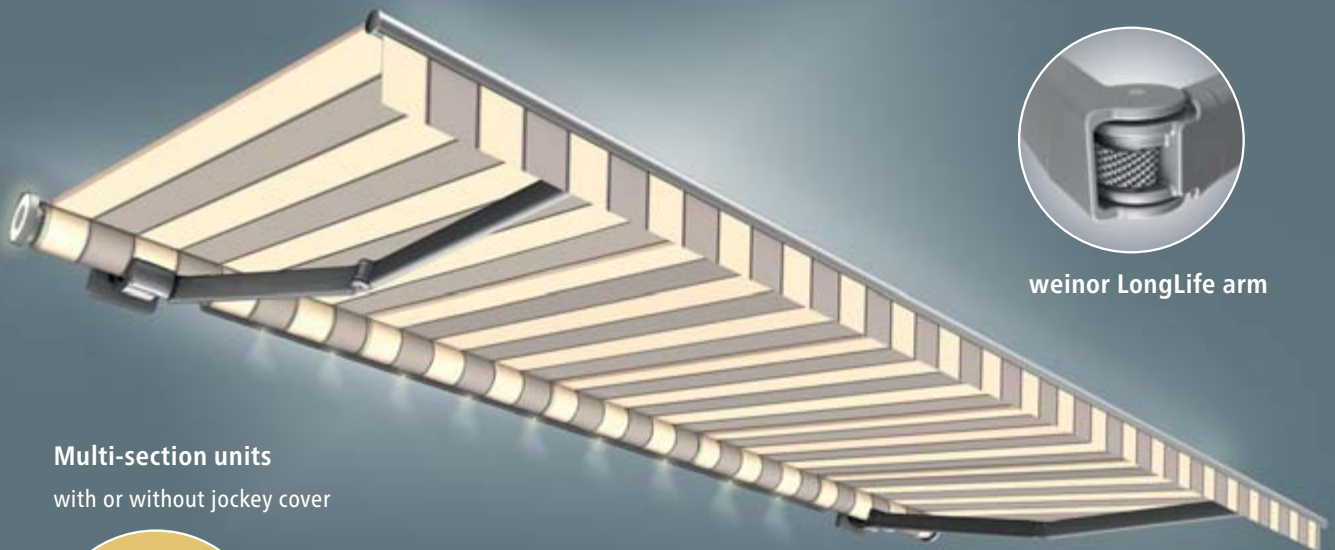
weinor Livona
without roof and LED



weinor Livona
with roof

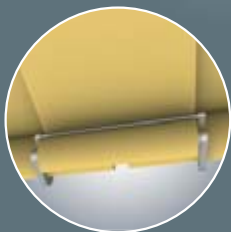


weinor Livona
without roof



weinor LongLife arm

Multi-section units
with or without jockey cover



Designs to suit every need

Valance Plus



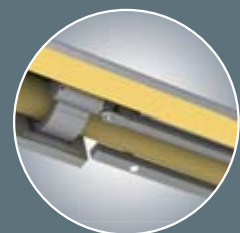
MiniMax



Invisible carrier bar
and pure design:
weinor Livona LED

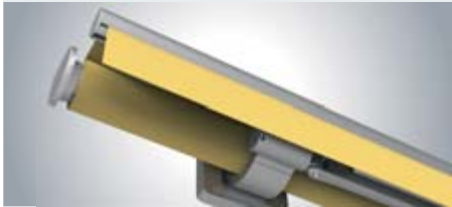


LED light package
- 2 light ring LED
- light bar LED Slim



Product benefits in detail

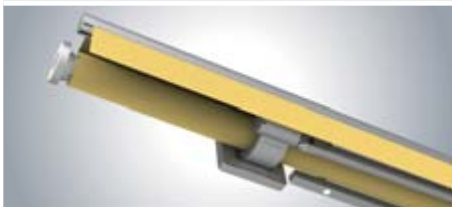
Puristic design and textile optic – the highlights of weinor Livona



Pure awning – invisible carrier bar and slim front profile

Technically and optically, the weinor Livona is "state-of-the-art" awning design. Your steel carrier bar tucked away virtually out of sight behind the fabric roller bearing. For a free view of a lot of fabric.

- ultra-slim front profile
- only 2 brackets are required (up to a width of 600 cm)
- suitable for larger widths and projections
- elegant aluminium side caps
- standard valance straight, height 12 cm



Warm white LED light – for atmospheric lighting

weinor Livona LED offers an innovative light package with warm white LED lighting. This always includes a combination of 2 LED light rings and the ultra-slim LED Slim light bar.

- 2 atmospheric LED light rings on the side cover plates
- LED Slim light bar integrated in the awning design (up to 600 cm width) available*
- with continuous BiConnect dimmability

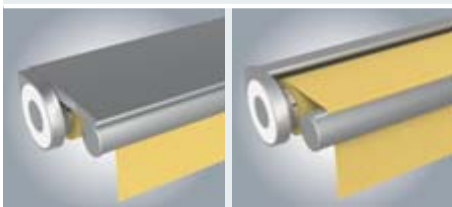


weinor LongLife arm – resilient and durable

The LongLife arm features an exceptionally robust high-tech belt.

- tested to more than 100,000 cycles
- extremely quiet operation

- no maintenance required
- die-forged aluminium in joint – light but highly robust

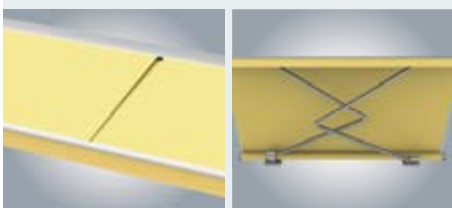


weinor Livona – multiple versions suitable for most applications

With a large range of versions, the weinor Livona meets every requirement.

- installation on walls, ceilings and rafters is possible
- for flat wall installations: elegant aluminium roof
- for covered/protected installations: open awning

- for wider applications: 2-section systems up to 1,200 m: with jockey cover or continuous fabric (roller support)
- for more projection than width: MiniMax (up to 400 cm projection)
- for privacy and glare protection: Vertical sun protection Valance Plus



* producibility up to 600 cm at the time of going to print

- standard
- optional
- unavailable

weinor Livona versions

	weinor Livona with/without roof	weinor Livona LED with/without roof	weinor Livona MiniMax without roof/ with roof
Max. width, 1-part/2-part with jockey cover	700 cm/1,200 cm	600 cm	500 cm
Max. projection	400 cm	400 cm	400 cm (from a width of just 235 cm)
Standard Valance straight, height	12 cm	12 cm	25 cm (with filling finish band)
Side dimensions (W x H), incl. bracket	with roof: 282 x 190 mm without roof: 275 x 190 mm		with roof: 282 x 283 mm without roof: 275 x 283 mm
Coupled systems	○	—	—
Motor drive	● as standard	● as standard	● as standard
Gear drive	○	○	○
Angle of pitch on awning	5° to 20°	5° to 20°	5° to 15°
Installation options	can be installed on walls, ceilings and rafters		
Light package LED: 2 light rings LED, light bar LED Slim	—	●	—
Valance Plus option			
Max. width	500 cm/600 cm	500 cm/600 cm	—
Max. projection	350 cm/300 cm	350 cm/300 cm	—
Side dimensions (W x H)	313 x 190 mm		—
Motor drive (only possible if primarily motor-driven)	●	●	—
Gear drive	○	○	—
Angle of pitch on awning	5° to 20°	5° to 20°	—
Valance Plus projection (H)	100 cm, 150 cm, 210 cm		—
Design			
47 standard frame colours	●	●	●
Over 150 other RAL colours	○	○	○
9 trend colours	●	●	●
Other textured colours	○	○	○
weinor fabric collection	●	●	●
Valance Plus fabrics	for special fabrics for vertical sun protection, see p. 7		—
Accessories			
Tempura Universal heating system	○	○	○
BiSens Agido-3V product protection sensor	○	○	○
Controls			
Remote control (see page 12)	○	○	○
No remote	●	●	●
Quality			
Tested up to	wind force 5 on the Beaufort scale and wind resistance class 2 according to DIN 13561		



Fabrics – attractive, brilliant long-lasting colours

A high-quality fabric is the basis of a beautiful awning. The 'colours by weinor®' collection and the Perluca climate-control fabrics offer an extensive choice.

- solution-dyed to make them colour-fast
- stay beautiful thanks to dirt- and water-repellant nano-coating
- optional: wide range of collections by other manufacturers



Fabric collections
155 patterns

- high-quality acrylic
 - proven for decades
 - fabric width: 120 cm/240 cm
- innovative polyester quality
 - high-stretch with memory effect®
 - fabric width: 120 cm



Air-permeable acrylic
fabrics, 5 patterns

- perforated acrylic
- translucent, breathable climate-control fabric for Valance Plus
- unit width: 120 cm/240 cm



High-tech climate-control fabrics
10 patterns

- translucent, breathable climate-control fabric for Valance Plus
- unit width: 177 cm (Soltis® 86, 92)
- extra-wide: 267 cm (Soltis® 86, 92)



Wide range of frame colours – abundance of choices

weinor coats all of its products in its own workshop. This ensures that they have the best-possible colour tonality and identical gloss levels.

- 47 standard RAL frame colours, silk gloss (gloss level $70 \pm 5\%$ when measured at a 60° angle)
- 9 scratchproof, resistant trend colours with a textured look
- over 150 special RAL colours

47 standard frame colours

RAL 1002 Sandy yellow	RAL 1003 Signal yellow	RAL 1014 Ivory	RAL 1015 Light ivory	RAL 1023 Traffic yellow	RAL 1034 Pastel yellow	RAL 2000 Yellow orange	RAL 2002 Vermilion	RAL 2011 Deep orange
RAL 3002 Carmine red	RAL 3004 Magenta red	RAL 3007 Black red	RAL 4005 Blue lilac	RAL 4006 Traffic purple	RAL 5005 Signal blue	RAL 5009 Azure blue	RAL 5014 Pigeon blue	RAL 5021 Water blue
RAL 5022 Night blue	RAL 5024 Pastel blue	RAL 6005 Moss green	RAL 6009 Fir green	RAL 6011 Reseda green	RAL 6012 Black green	RAL 7015 Slate grey	RAL 7016 Anthracite grey	RAL 7021 Black grey
RAL 7030 Stone grey	RAL 7032 Pebble grey	RAL 7035 Light grey	RAL 7039 Quartz grey	RAL 7040 Window grey	weinor 7319 weinor grey	RAL 8001 Ochre brown	RAL 8003 Clay brown	RAL 8014 Sepia brown
RAL 8016 Mahogany brown	RAL 8017 Chocolate brown	RAL 8019 Grey brown	RAL 8022 Black brown	weinor 8077 weinor dark brown	RAL 9001 Cream	RAL 9005 Jet black	RAL 9006 White aluminium	RAL 9007 Grey aluminium
RAL 9010 Pure white	RAL 9016 Traffic white							

9 trend colours

WT 29/10797 Approx. RAL 9010	WT 29/50704 Approx. RAL 6009 metallic	WT 29/60740 Chestnut 04 metallic	WT 29/70786 Sparkling iron effect	WT 29/71289 Approx. RAL 7016	WT 29/80077 Approx. DB 703 metallic	WT 29/80081 Iron glimmer effect P7	WT 29/90146 Approx. RAL 9006 metallic	WT 29/90147 Approx. RAL 9007 metallic

weinor is an eco-friendly company. To ensure compliance with high environmental standards, manufacturing processes and materials undergo regular testing by experts.

As a result of the ban on the use of heavy metals in powder coatings, paint manufacturers can no longer guarantee colour stability despite making every effort to do so. It therefore cannot be excluded that colours in general, and Fire Red (RAL 3000) in particular, may fade with time. For technical reasons, the colours may appear significantly different when printed.



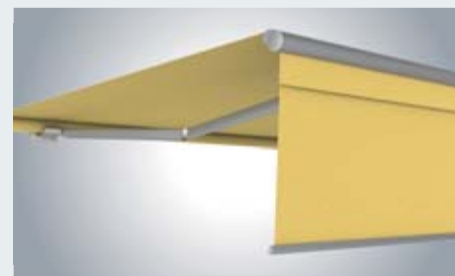
Valance Plus – more privacy thanks to optional vertical protection against the sun and prying eyes

The motorised or crank-operated vertical awning fits elegantly into the awning's drop profile.

- glare protection and privacy shield up to a maximum valance height of 210 cm
- extends to any length
- awning can be set to any angle from 5° to 20°
- Valance Plus cannot be retrofitted
- Valance Plus with motor is only possible if the awning is motor-driven

Maximum awning size for Valance Plus

Width	500 cm	Projection	350 cm
Width	600 cm	Projection	300 cm

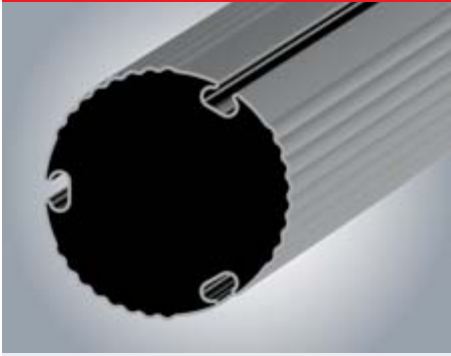


Topas Valance Plus – closed and with Valance Plus slightly extended

Available fabrics for the Valance Plus

	Soltis® 86, 92	Soltis® 86, 92	Acrylic			Perluca		WeiTex polyester	
Fabric width	single colour	single colour	striped	single colour	single colour	single colour	single colour	striped	single colour
Valance length	177 cm	267 cm	120 cm	120 cm	240 cm	120 cm	240 cm	120 cm	120 cm
100 cm	N	N	T	S/L	N	S/L	N	S/L	N
150 cm	N	N	–	T	N	T	N	–	T
210 cm	T	N	–	T	N	T	N	–	T

- S seamless: seamless fabric; structure of fabric runs crosswise to structure of awning fabric
- Q transverse seam: fabric with transverse seam; either in top or bottom third as desired; structure of fabric runs crosswise to structure of awning fabric; only possible as unicolour fabrics
- L longitudinal seam: structure of fabric runs longitudinally to structure of awning fabric
- not available



Fabric rests in a central position as it winds, 'reducing wrinkling

weinor innovation

weinor's new Opti grooved tube in the fabric roller turns particularly smoothly. This optimisation cuts down on creasing and ensures that the fabric looks fantastic.

- centrally positioned motor; fabric winds evenly on smooth-running roller
- regularly spaced grooves for the piped border
- fabric roller with minimised sag



Conventional solution

Conventional grooved tubes simply have an indentation to hold the piping. The motor rests off-centre in the tube. This means that the fabric roller bearing does not turn smoothly – the fabric is rolled up rather more unevenly.



Patented OptiFlow-System®

to keep fabric perfectly positioned on Valance Plus roller

The patented weinor OptiFlow System® ensures that the front rail closes reliably, even when the fabric is wide and the fabric roller is small.

Conventional holder

In this case, the fabric roller is not supported from side to side.

The result:

- the fabric is not ideally positioned
- dirt gathers on the fabric over time due to the central position of the support

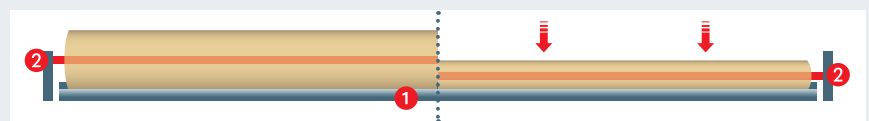
OptiFlow system®

Here, the fabric roller rests unattached on the glide profile: the entire width of the fabric is supported and cannot sag.

The advantage:

- the fabric positioning is ideal even for wide fabrics
- specially coated glide profile means the fabric enjoys long-term protection

Advantages of the fabric roller support



Fabric roller is unrolled: the glide profile (1) supports the fabric roller along its entire length and thus effectively prevents sagging.

Fabric roller is rolled up: the fabric roller steadily rolls into its holder (2). The glide profile continues to provide support along its entire length.



Spectacular lighting effects with the LED light package: 2 LED light rings and LED Slim light bar

The LED Slim light bar, designed specially for the weinor Livona is positioned inconspicuously behind the fabric roller bearing. They are flush integrated between the brackets.

- light bar LED Slim always in combination with 2 LED light rings on the headplates
- the LED Slim light bar is always positioned between the brackets
- LED Slim light bar integrated in the awning design (up to 600 cm width) available*

- lighting remains on even when awning is retracted
- with continuous BiConnect dimmability
- 30,000 hours of lighting with minimal energy consumption



LED Slim light bar

Awning width	Number of separate LED spotlights
203 – 250	2 – 3
251 – 300	3 – 4
301 – 350	3 – 5
351 – 400	4 – 6

Awning width	Number of separate LED spotlights
401 – 450	5 – 7
451 – 500	6 – 8
501 – 550	7 – 8
551 – 600	8 – 9

Dimensions of LED Slim light bar:
Awning width up to 500 cm: unit dimension minus 84 cm (2 x 42 cm).
Width from 501 cm to 600 cm: Unit dimensions minus 120 cm (2 x 60 cm) (this also applies to the use of the 395 cm wall bracket).







BiEasy 1M

BiEasy 5M

weinor BiConnect – control for awning, light and heating

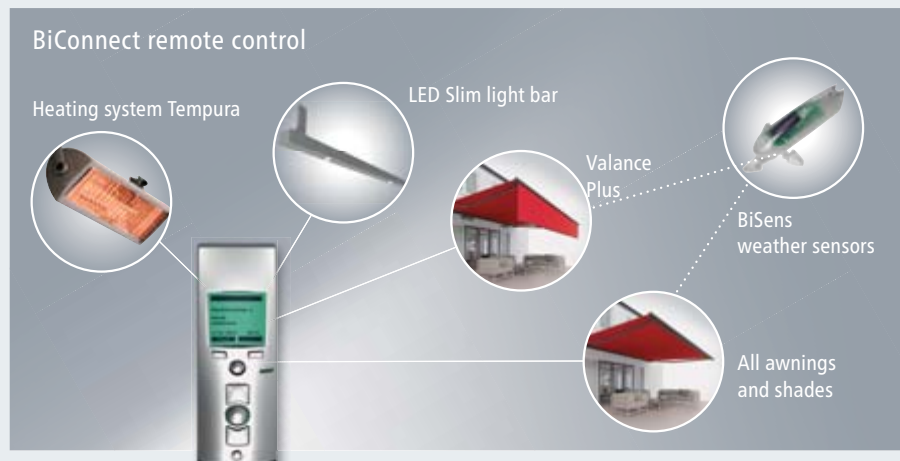
The weinor Livona comes as standard with one motor and can optionally be controlled with the pre-programmed BiEasy remote control.

There are hand transmitters with different numbers of channels: choose from 1, 5 or 15 channels with a display.



BiEasy 15M with display

BiEasy App



weinor BiEasy hand transmitter

- operationally safe thanks to protected transmission frequency (868 MHz)
- attractive and convenient design

BiRec Remote receiver

- various remote-controlled receivers depending on function combinations
- to suit awning fittings – e.g. to extend and retract the awning or dim the lights

Sun and Sun-Wind sensors – automatic heat and product protection (option)

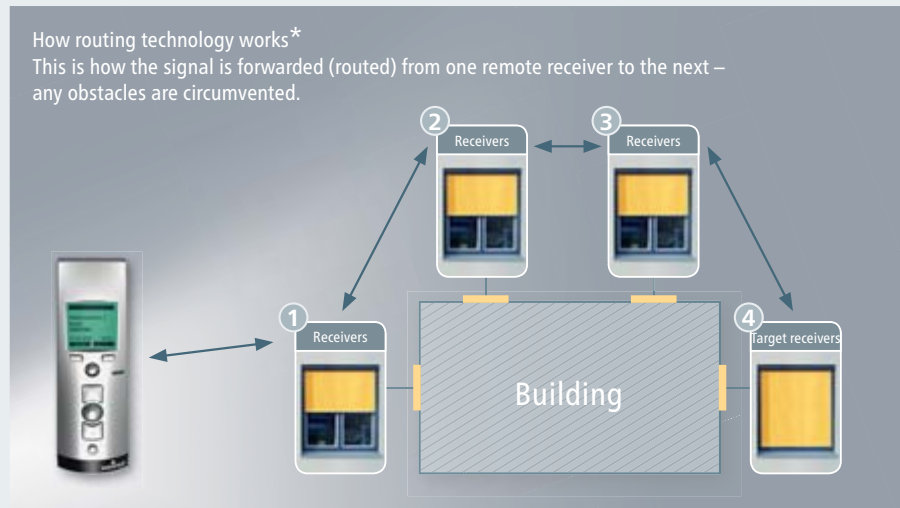
The BiConnect series remote sensors automatically extend the awning when the sun shines and reliably retract it in case of wind or cloud.

BiEasy APP

Please see technical brochure "Accessories" for further information.

State-of-the-art routing technology:

The new BiConnect radio control transmits bidirectional signals and is very reliable thanks to its ultra-modern routing technology. In this case, the BiEasy handheld transmitter sends a radio signal to an active receiver within its range. The signal is then forwarded from one receiver to the next until it reaches the target receiver – and all this occurs in a matter of seconds.



* Very simplified illustration

↔ = Routing signal and feedback signal



Receiver box Slim

- is positioned inconspicuously on the carrier bar or on the roof of the awning

In case of wall or rafter mounting with the LED Slim locking bar:

10 cm (from the outer edge of the awning to the outer edge of the receiver box)

In case of roof mounting with the LED Slim locking bar: the receiver box is always indented as far as the light bar. In this connection, the receiver box is provided with a cover plate (see page 28)

- dimensions of the receiver box: W/H/D: 47 cm/3.8 cm/6 cm

Product protection sensor Agido-3V



Agido-3V

Retracts awning when vibrations and movement are detected. Battery supply (2 x 1.5 V; type AAA), no wiring.

BiSens Sensors



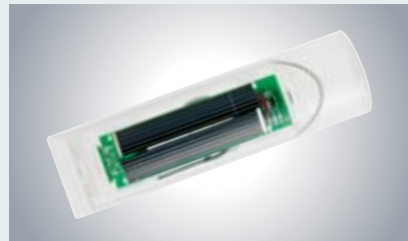
BiSens SW-230 V

Sun, wind sensor with power connection



BiSens SW-Solar

Sun and wind sensor with solar operation (not suitable for units used as privacy protection)



BiSens SUN-Solar

Sun sensor solar operation



BiSens SWR-230 V

Sun-Wind-Rain combination sensor

Product	Comes with (integrated)		Remote receiver	Hand transmitter
weinor Livona	awning motor		integrated in the remote-controlled motor	BiEasy 1M/5M/15M
		+ Tempura Universal* heating system	BiRec HD	BiEasy 5M/15M
weinor Livona LED	awning motor			
	+ LED Slim light bar		BiRec MLED	BiEasy 5M/15M
	+ LED Slim light bar	+ Tempura Universal* heating system	BiRec MLED + BiRec HD	BiEasy 5M/15M
weinor Livona Valance Plus	awning motor; Valance Plus		integrated in remote-controlled motor (main operation) integrated in remote-controlled motor (Valance Plus)	BiEasy 5M/15M
weinor Livona LED Valance Plus	awning motor; Valance Plus			
	+ LED Slim light bar		BiRec MVLED	BiEasy 5M/15M
	+ LED Slim light bar	+ Tempura Universal* heating system	BiRec MVLED + BiRec HD	BiEasy 5M/15M

* option



BiRec receiver MLED

Integrated remote receiver for motor and LED control

Product	BiConnect
weinor Livona main operation	no additional receiver required (integrated in the motor receiver)
LED Slim light bar	dimnable, combi-receiver for main operation and LED with integrated power supply pack, accommodation in receiver box Slim
Valance Plus option	<ul style="list-style-type: none"> • no additional receiver required • gradual switch-off • retraction protection (only with weinor Livona LED Valance Plus) • no retraction protection with weinor Livona Valance Plus
Option Tempura heating	<ul style="list-style-type: none"> • dimmable, additional receiver required • accommodation of the receiver in the design bar provided for this purpose (see page 21)



Telis 1
RTS Pure

Telis 4
RTS Pure

Telis Soliris
RTS Pure

Telis 4 Soliris
RTS Pure

Somfy RTS

Alternatively, the weinor Livona can also be controlled with Somfy RTS.

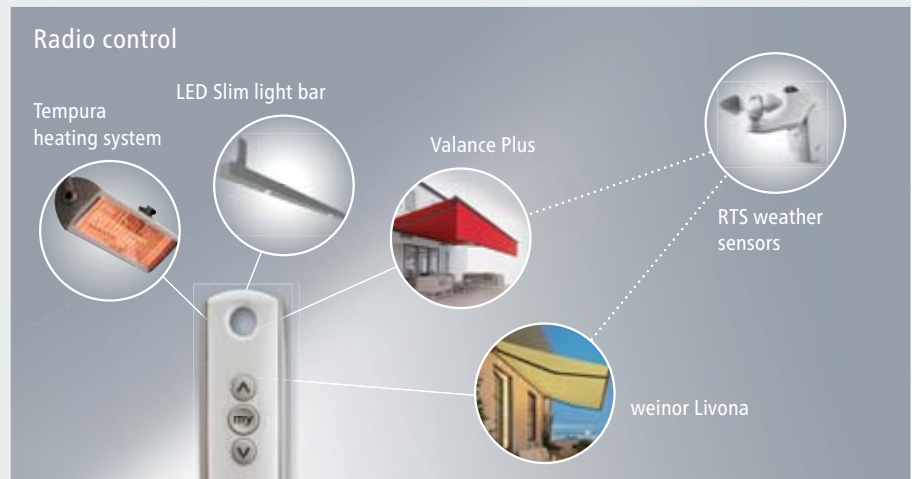
Somfy RTS

Since RTS works unidirectionally, no feedback is given on the status of the units. The radio control system runs on a frequency of 433.42 MHz.



Smoove 1 RTS
Pure Shine

Chronis RTS smart





Receiver box Slim

- is positioned inconspicuously on the support pipe or on the roof of the awning

In case of wall or rafter mounting with the LED Slim locking bar:

10 cm (from the outer edge of the awning to the outer edge of the receiver box)

In case of roof mounting with the LED Slim locking bar: the receiver box is always indented as far as the light bar. In this connection, the receiver box is provided with a cover plate (see page 28)

- dimensions of the receiver box: W/H/D: 47 cm/3.8 cm/6 cm

Somfy radio wind sensor Eolis 3D-WireFree-RTS



Somfy radio wind sensor Eolis 3D-WireFree-RTS

Retracts awning when vibrations and movement are detected. Battery supply (2 x 1.5 V; type AAA), no wiring.

Somfy RTS sensors



Eolis Sensor RTS

Radio wind sensor with power connection



Soliris Sensor RTS

Radio wind and sun sensor with power connection

Product	Comes with (integrated)	Remote receiver	Hand transmitter
weinor Livona	awning motor	integrated in remote-controlled motor	Telis 1 RTS Pure/Telis 1 Soliris RTS Pure/Smooove 1
	+ Tempura Universal* heating system	heating Slim Receiver RTS Plug	Telis 4 RTS Pure/Telis 4 Soliris RTS Pure
weinor Livona LED	awning motor	integrated in remote-controlled motor	
	+ LED Slim light bar	lighting: Slim Receiver RTS	Telis 4 RTS Pure/Telis 4 Soliris RTS Pure
weinor Livona Valance Plus	awning motor; Valance Plus*	integrated in remote-controlled motor; Universal Receiver RTS Plug	Telis 4 RTS Pure/Telis 4 Soliris RTS Pure
	+ LED Slim light bar	heating Slim Receiver RTS Plug	Telis 4 RTS Pure/Telis 4 Soliris RTS Pure
weinor Livona LED Valance Plus	awning motor; Valance Plus*	integrated in remote-controlled motor; Universal Receiver RTS Plug	Telis 4 RTS Pure/Telis 4 Soliris RTS Pure
	+ LED Slim light bar	lighting: Slim Receiver RTS	Telis 4 RTS Pure/Telis 4 Soliris RTS Pure

* option



Somfy Lighting Slim Receiver RTS (for LED)
Remote receiver for LED control

Product	Somfy RTS
weinor Livona main operation	receiver integrated into motor
LED Slim light bar	<ul style="list-style-type: none"> • not dimmable • additional receiver external lighting Slim receiver RTS (with downstream power supply pack) • accommodation in Slim receiver box
Valance Plus option	<ul style="list-style-type: none"> • additional receiver external Universal Slim Receiver RTS Plug • accommodation in second Slim receiver box • no retraction protection
Option Tempura heating	<ul style="list-style-type: none"> • additional receiver external Heating Slim Receiver RTS Plug • accommodation of the receiver in the additional design bar (see p.21) • not dimmable

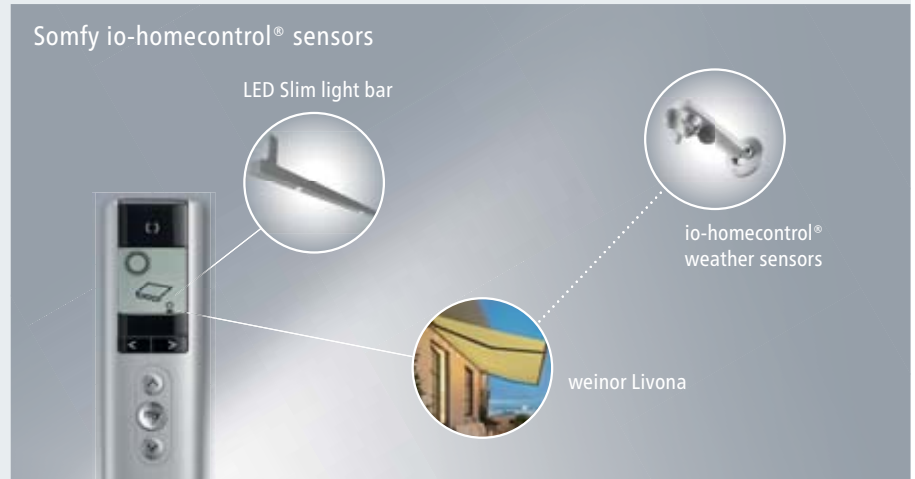


Situo Mobile io Silver Mat Easy Sun io Silver Mat Smooove 1 io Pure Shine

Somfy io-homecontrol®

io-homecontrol® allows every convenience and security feature to be combined into one network and be controlled using a single remote

transmitter. The expandable system can also incorporate any new products that are added.



Somfy radio wind sensor Eolis 3D-WireFree io



Retracts awning when vibrations and movement are detected. Battery supply (2 x 1.5 V; type AAA), no wiring.

Somfy io-homecontrol® sensors



Eolis WireFree io
Radio wind sensor:



Sunis WireFree io
Radio sun sensor **Sensor Box io**
Communication unit

Product	Comes with (integrated)	Remote receiver,	Hand transmitter
weinor Livona	awning motor	integrated in the remote-controlled motor	Situo Mobile io Silver Mat/Smooove 1 io Pure Shine
weinor Livona LED	+ LED Slim light bar	lighting Receiver io	Easy Sun io Silver Mat



Somfy io homecontrol® receiver
Lighting receiver on/off io

Installation location Somfy Lighting Receiver io

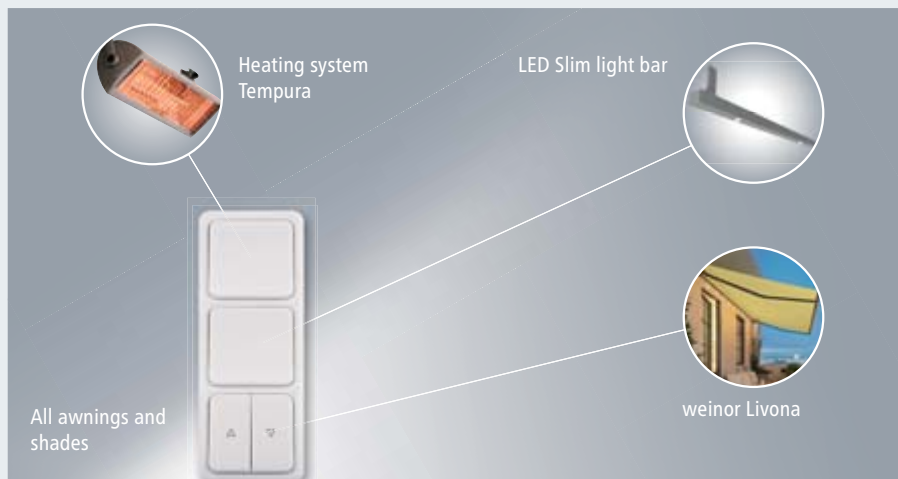
The Somfy receiver is accommodated in the Slim receiver box (see page 17).

Product	Somfy io-homecontrol®
weinor Livona main operation	receiver integrated into motor
LED Slim light bar	<ul style="list-style-type: none"> not dimmable additional receiver external lighting receiver io (with downstream power supply pack) accommodation in Slim receiver box
Valance Plus option	unavailable
Option Tempura heating	unavailable



Hard wired

A hard wired control makes sense in the case of existing power cables or sources of interference for radio control.



Product	weiner hard wired (commutator/local switch control)
weiner Livona main operation	<ul style="list-style-type: none"> • no receiver required • local switch control
LED Slim light bar	<ul style="list-style-type: none"> • not dimmable • with switched power supply pack (power supply pack is included in the delivery) • local switch control
Valance Plus option	<ul style="list-style-type: none"> • no retraction protection • local switch control
Option Tempura heating	<ul style="list-style-type: none"> • not dimmable • local switch control



Power supply pack for option LED

Power supply pack for option LED (hard wired)

The power supply pack provides the voltage and current intensity required to operate the LED. It is only necessary for the LED option.



Receiver box Slim

- is positioned inconspicuously on the support pipe or on the roof of the awning

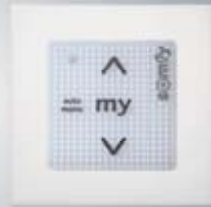
In case of wall or rafter mounting with the LED Slim locking bar:
10 cm (from the outer edge of the awning to the outer edge of the receiver box)

In case of roof mounting with the LED Slim locking bar: the receiver box is always indented as far as the light bar. In this connection, the receiver box is provided with a cover plate (see page 28)

- dimensions of the receiver box: W/H/D: 47 cm/3.8 cm/6 cm

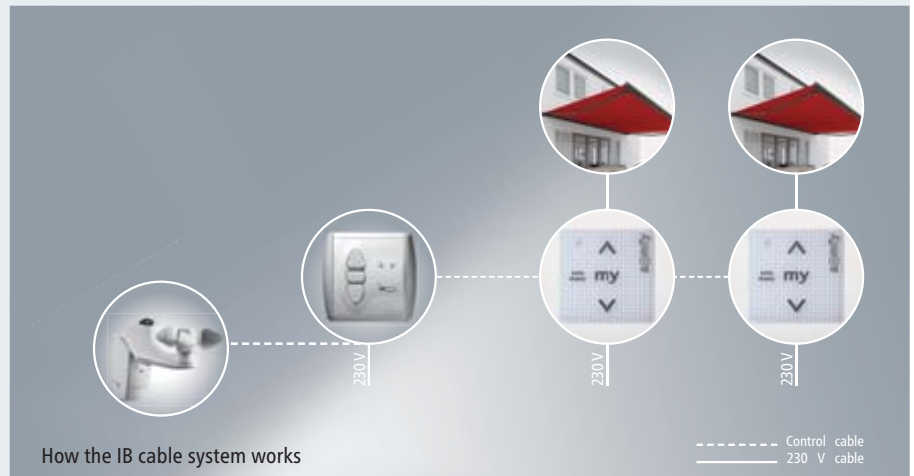
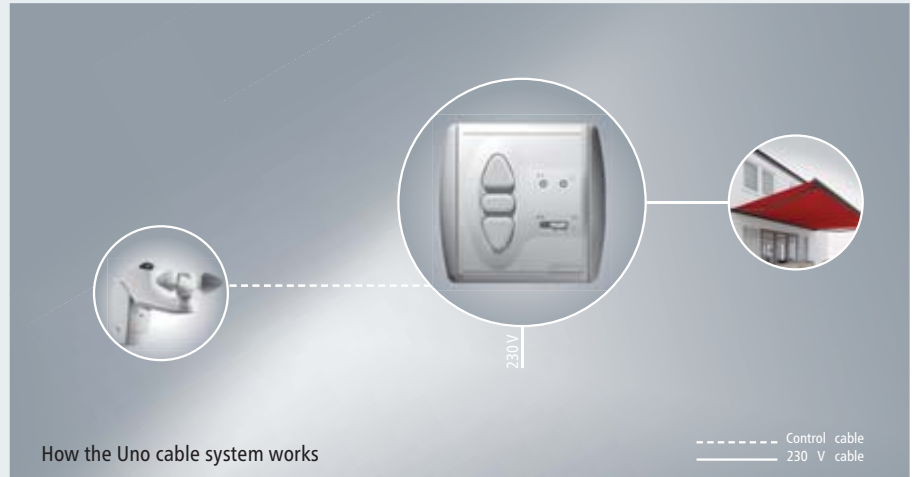


Control unit +
Sensor Uno/IB



Smoove Uno IB +
Pure Shine

For the hard wired version, a Somfy switch and sun/wind sensor can be supplied with the awning.



Product	weinor firmly wired with Somfy control
weinor Livona main operation	<ul style="list-style-type: none"> • no receiver required
LED Slim light bar	<ul style="list-style-type: none"> • not dimmable • accommodation of the power supply pack in Slim receiver box
Valance Plus option	<ul style="list-style-type: none"> • no retraction protection • local switch control
Option Tempura heating	<ul style="list-style-type: none"> • not dimmable • local switch control







Heating System Tempura Universal (option)

Tempura, the energy-efficient infrared heating system convinces with heat output of 1,500 watt in a tiny housing.

- instant heat: no warm-up time
- turn as required for targeted warmth
- can be optionally operated via radio control: only possible with BiConnect (heating dimmable) and Somfy RTS (heating can only be switched on and off)
- splash protection
- comes in 47 standard frame colours plus 9 scratchproof, resistant trend colours with a smart, structured look
- optional: 150 special RAL colours
- universal bracket makes it easy to retrofit (mounted to the wall)
- TÜV tested



Simplified view from rear

Design bar for Tempura heating system receiver

Recommendation: Provide BiRec HD (bidirectional heating dimmer) or Somfy heating receiver Heating Slim Receiver RTS Plug with additional

protection using the horizontally mounted designer bar



BiRec HD
Remote receiver for heating control



Heating Slim Receiver Somfy RTS Plug
Remote receiver for heating control



Determining the projection and head clearance height:

1. Find the diagonal by looking in the "Projection" table for the terrace depth.
2. Using the diagonal from the table and the required angle of inclination, consult the "head clearance height" table for the head clearance height. This head clearance height refers to an installation height of 300 cm.
3. Add/subtract the difference between 300 cm and the actual installation height to/from the head clearance height in the table.

Determining the actual awning projection

This table can be used to find the actual awning projection for any given horizontal terrace depth.

Angle of inclination	Terrace depth in cm					
	150	200	250	300	350	400
5°	151	201	251	301	351	402
15°	155	207	259	311	362	414
25°	166	221	276	331	386	441

Projection in cm (rounded figures)

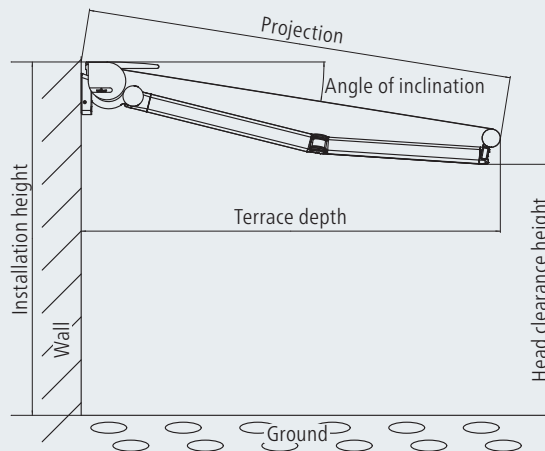
Determining the head clearance height

This table is used to find the head clearance heights for various diagonals when the angle of inclination is 5°, 15° or 25°.

This table is based on the example of an installation height of 300 cm (upper edge of awning).

Angle of inclination	Projection in cm					
	150	200	250	300	350	400
5°	287	282	278	273	269	265
15°	261	248	235	222	209	196
25°	236	215	194	173	152	131

Head clearance height in cm (rounded figures)



Wall installation on C20/25 concrete with up to 200 mm facing, wind resistance class 2 and a permissible centric tensile load of 5.71 kN for anchor bolts

Sizes and bracket recommendations

Width in cm	Number of arms	Diagonal in cm (irregular figures possible)					
		150	200	250	300	350	400
- 250	2	●					
251 - 300	2	●	●				
301 - 350	2	●	●	●			
351 - 400	2	●	●	●	●		
401 - 450	2	●	●	●	●	●	
451 - 500	2	●	●	●	●	●	▲
501 - 550	2	●	●	●	●	●	▲
551 - 600	2	●	●	●	●	▲	▲
601 - 650	2	●	●	●	●	▲	▲
651 - 700	3	●	●	●	●	▲	▲

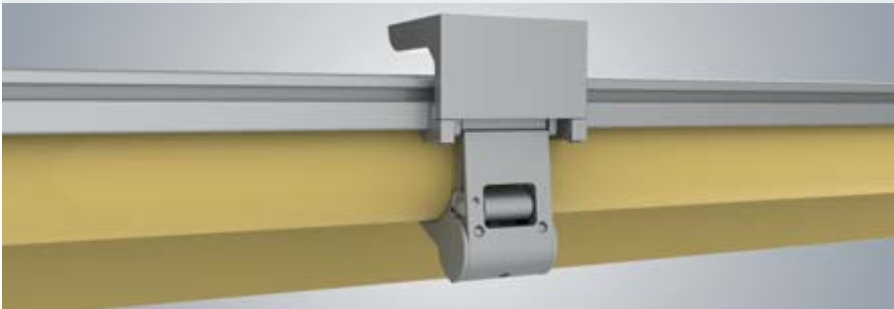
- 2 weinor Livona standard wall brackets 215 mm
- 3 weinor Livona standard wall brackets 215 mm

- 2 weinor Livona standard wall brackets 395 mm
- ▲ 2 weinor Livona standard wall brackets 395 mm and 1 standard wall bracket 215 mm

The new weinor roller support



Livona roller support wall mounting (view from rear)



Livona roller support roof mounting (view from rear)



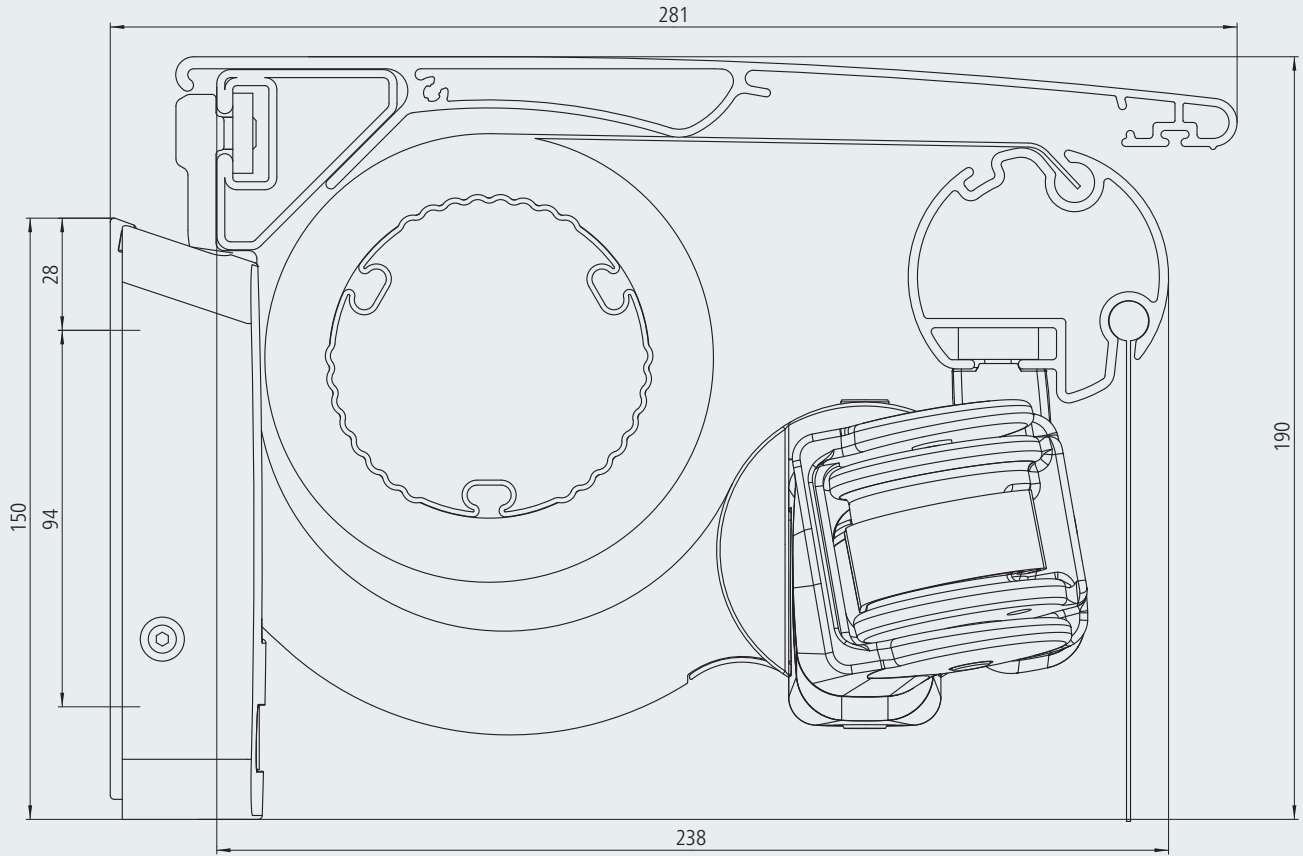
Livona roller support rafter mounting without rafter bracket (view from rear)



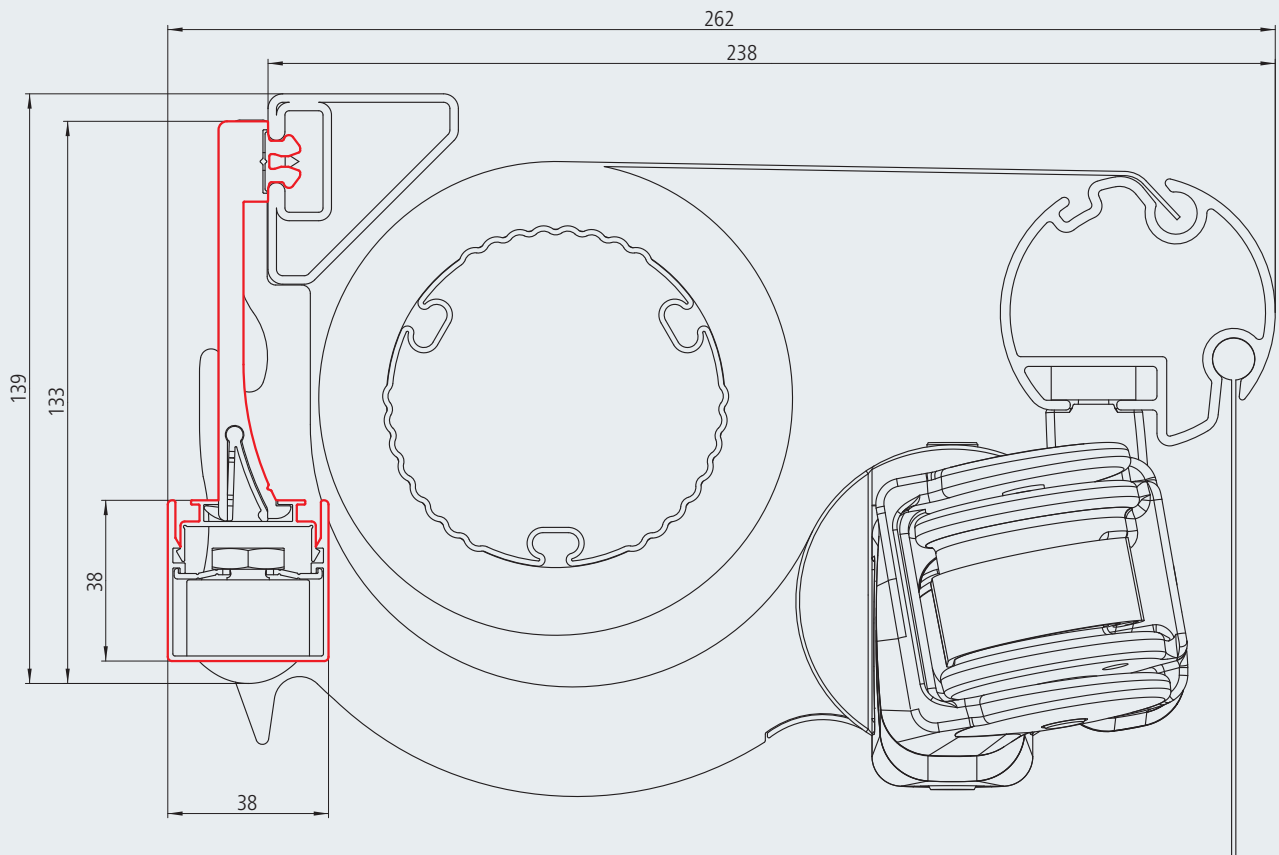
Livona roller support rafter mounting with rafter bracket (view from rear)

- The new weinor roller support is only used on awnings that are at least 601 cm wide.
- The sliding support bearing is preassembled and can be adjusted to the size of the fabric roll accordingly.
- Support of load against the wall or roof by means of simple screw fastening.
- If you are planning rafter mounting, we need the position of the rafter to be able to determine the correct seating of the roller support.

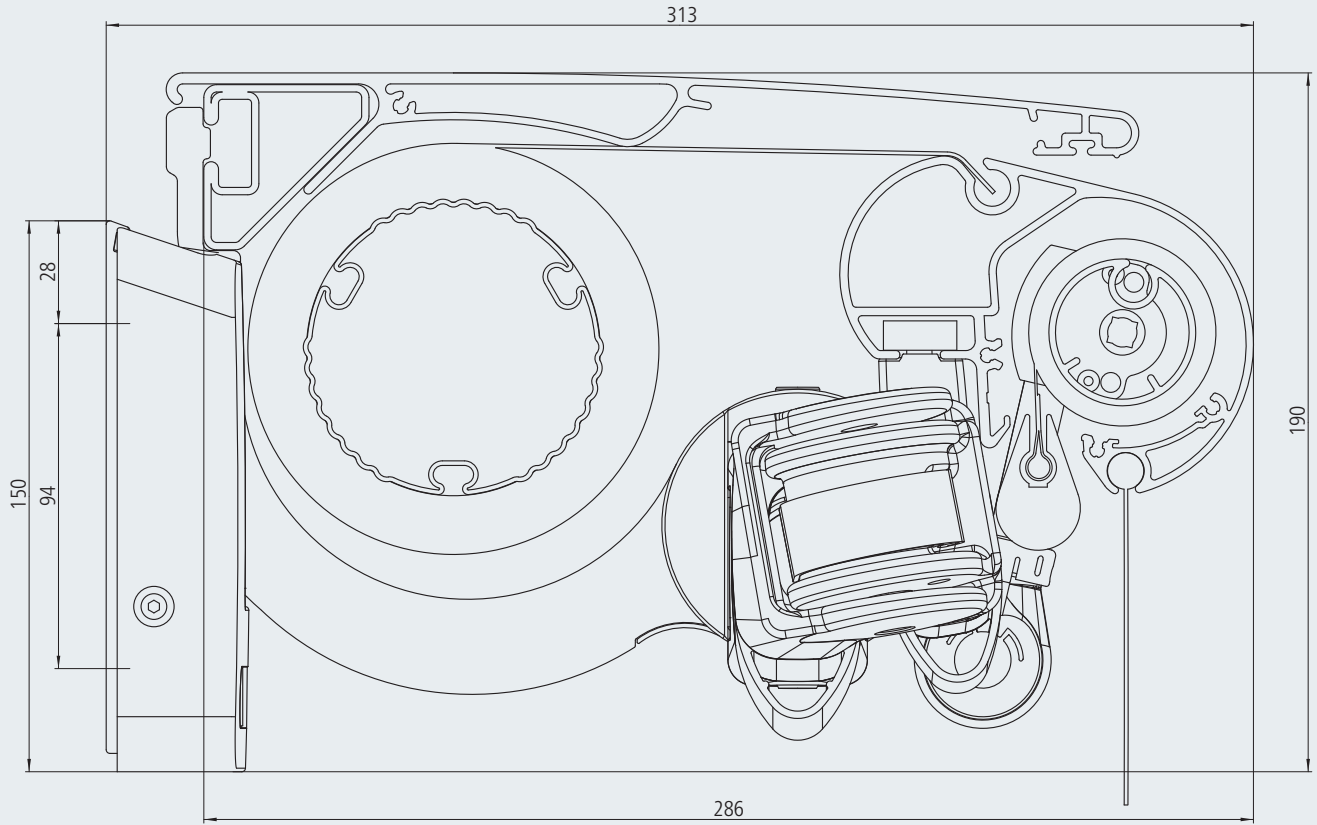
Cross-section weinor Livona with roof



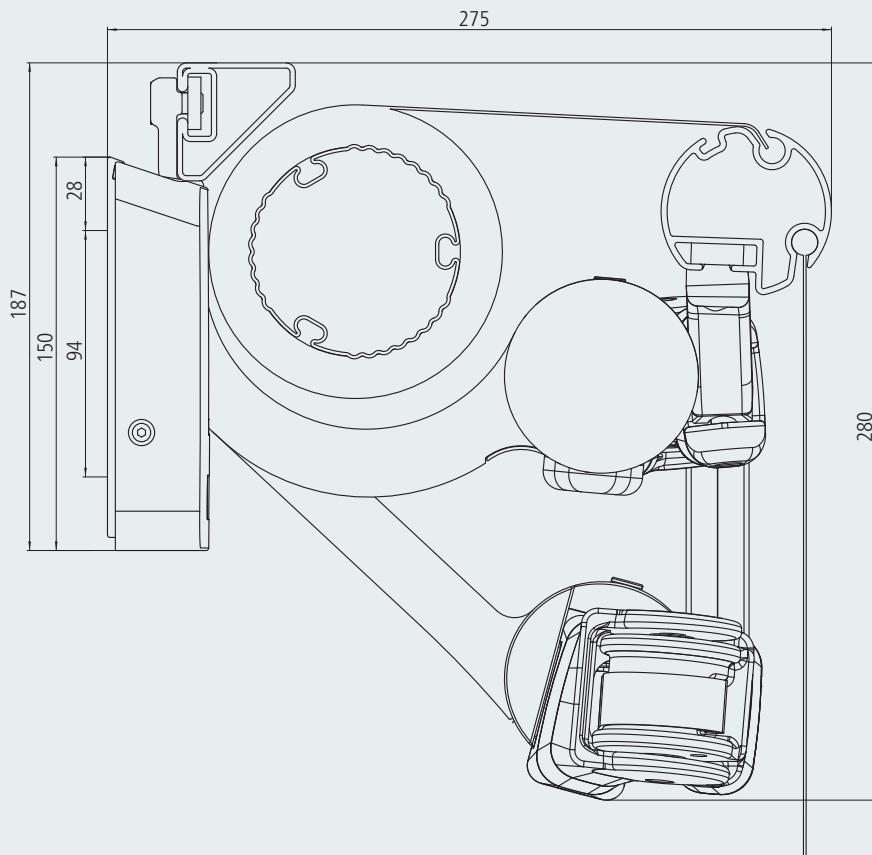
Cross-section weinor Livona without roof with LED SLIM light bar



Cross-section weinor Livona with roof Valance Plus



Cross-section weinor Livona MiniMax without roof

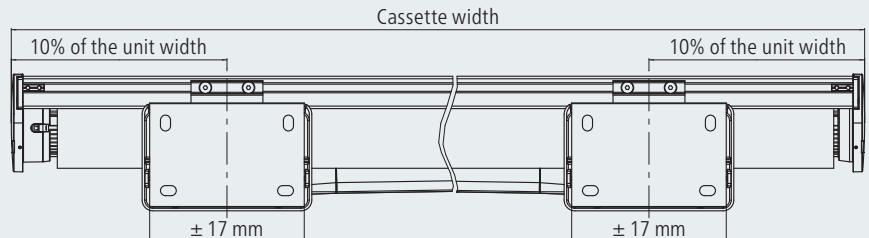


Installation on walls, ceilings or rafters – suitable for almost all applications

Its dimensions mean that the weinor Livona can be mounted in a wide range of ways: not only on a wall but

also on a roof or a rafter. The brackets and mounting plates are made of extruded, powder-coated aluminium.

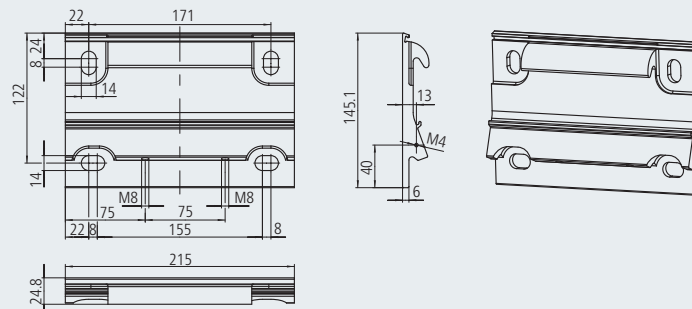
Standard bracket position



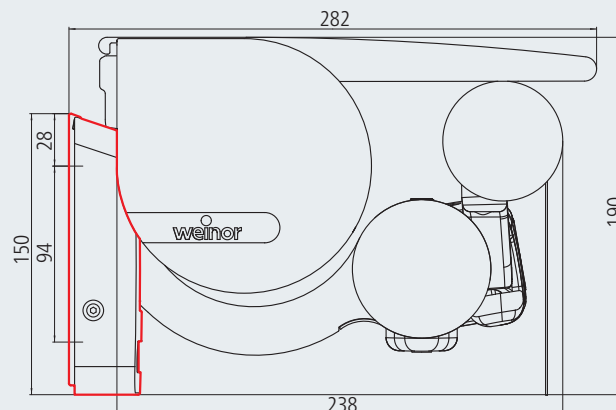
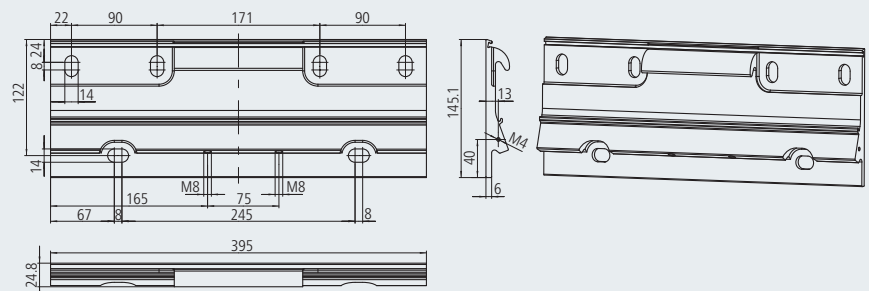
Wall installation



Wall bracket (without cover) 215 mm

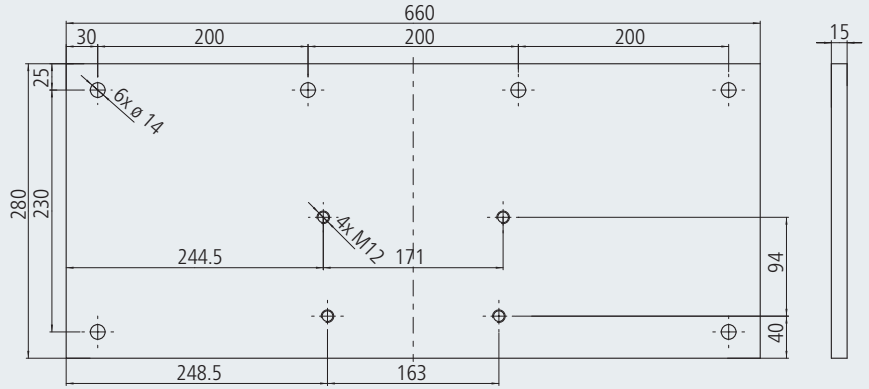


Wall bracket (without cover) 395 mm

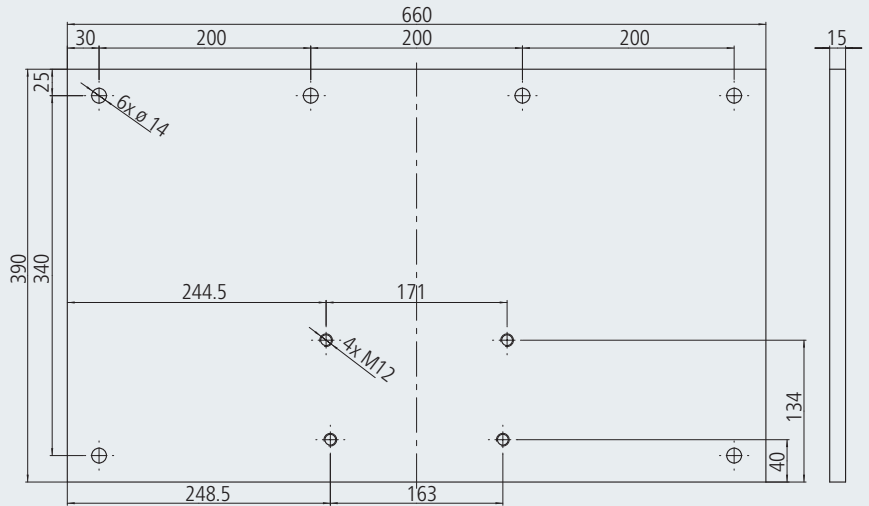


Side view weinor Livona with roof wall mounting

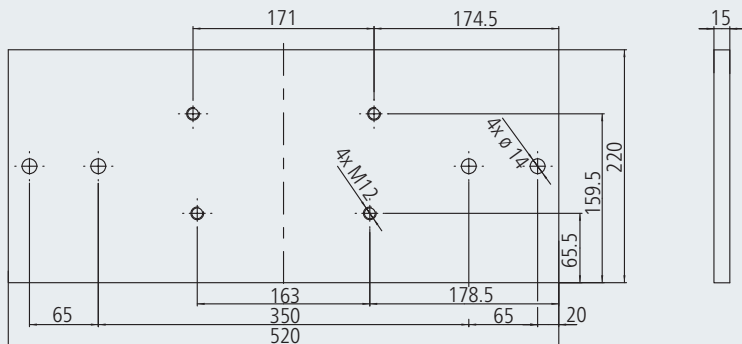
Mounting plate 660 x 280 mm x 15 mm



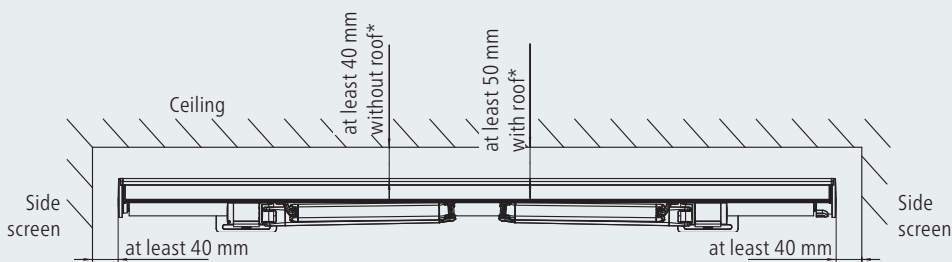
Mounting plate 660 x 390 mm x 15 mm



Ceiling front plate 520 x 200 x 15 mm



Minimum spacing distances for installation in the niche (wall mounting)

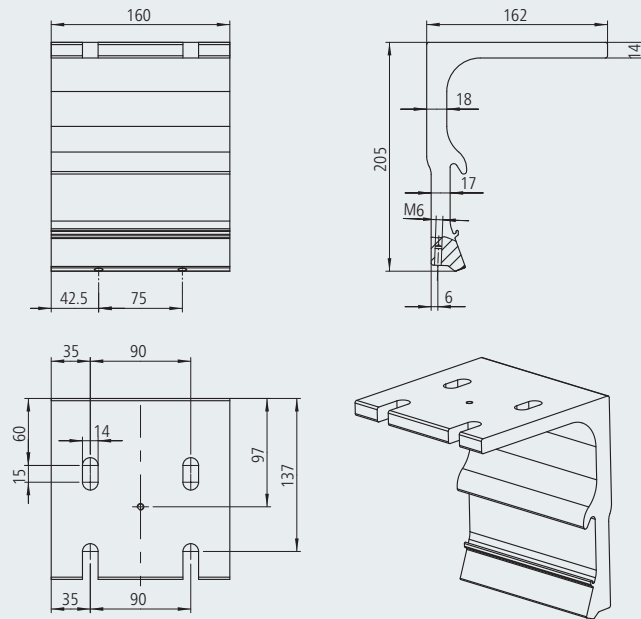


* Please note: With weinor Livona LED or in case of use of BiConnect, increase the minimum distance by 40 mm (height of receiver box)

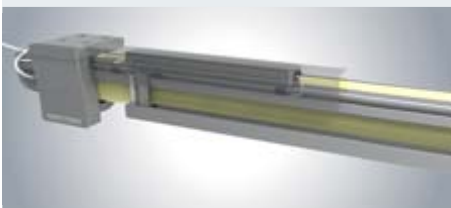
Roof installation



Ceiling bracket (without cover)

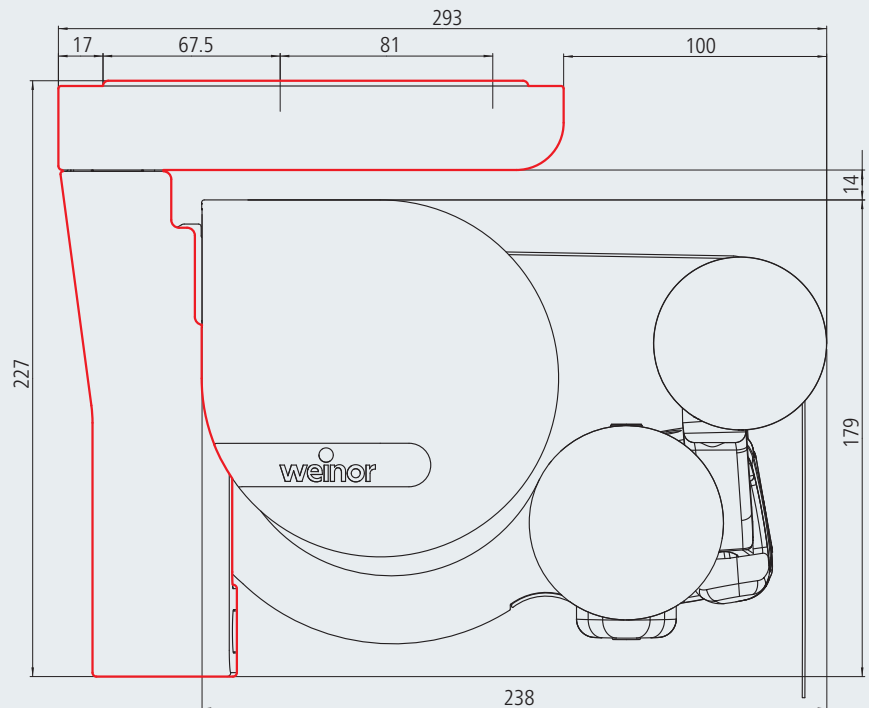


Receiver box cover plate for roof mounting weinor Livona LED/ LED Valance Plus



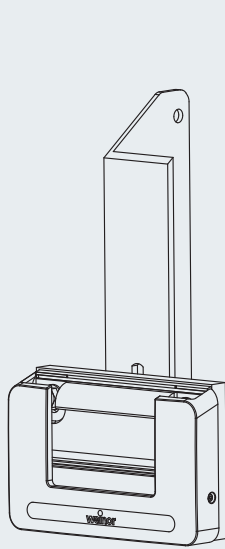
Transparent view of cover plate

- up to 500 cm width of awning – length of cover plate 70 cm
- from 501 cm width of awning – length of cover plate 90 cm

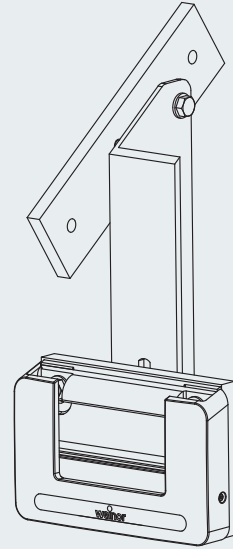


Side view weinor Livona without roof: roof mounting

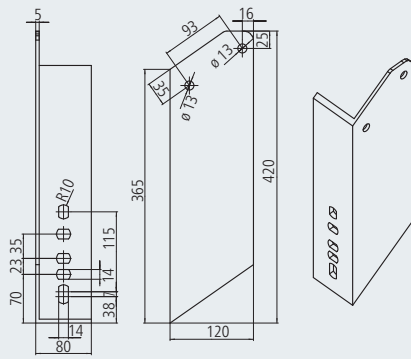
Rafter installation



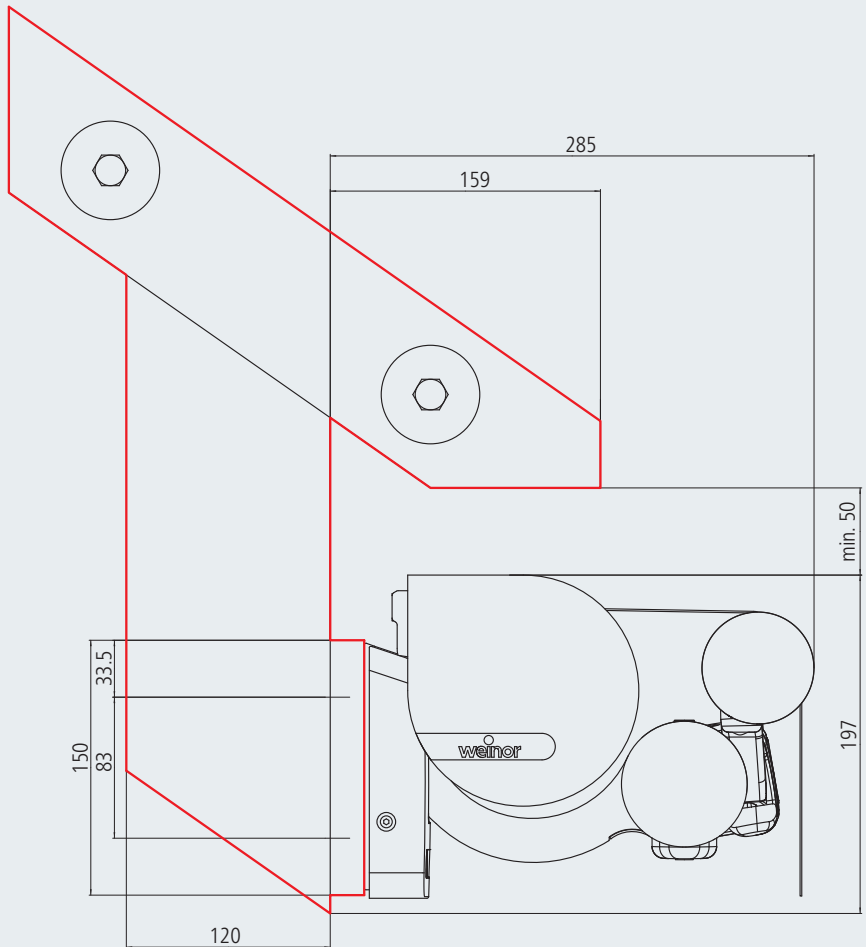
Right-hand rafter bracket



Rafter bracket with mounting plate for right-hand rafter bracket. weinor recommends using a mounting plate for the rafter bracket.



Rafter bracket



Side view weinor Livona without roof: rafter mounting

Extraction forces weinor Livona

Wall mounting on C20/25 concrete with up to 200 mm of facing,
Extraction force in N per upper fastener in wall bracket

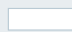
The extraction force is the force with which the weight of the awning and the wind load pull on each upper fixing. The tables indicate this force in N per upper fixing. It varies depending on the awning size and the wall bracket / mounting plate used.

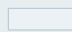
Selecting the wall bracket and anchoring system:

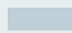
1. Consult relevant table for extraction force per fixing for selected awning size.

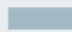
2. Select a wall bracket/mounting plate for which there is a fastener which can resist the indicated extraction force. Remember to take into account the spacing, the area which will be damaged if the fixing breaks out, the type of fixing used and the assembly base.

See separate bracket overview for other bases.

 1 standard wall bracket (215 mm) plus 1 roller support incl. separate bracket from 601 cm.
1 standard wall bracket (215 mm) per awning arm.
Fixing material: 8 all together

 1 standard wall bracket (395 mm) plus 1 roller support incl. separate bracket from 601 cm.
1 wall bracket (395 mm) per awning arm.
Brackets: 12 all together

 Mounting plate (660 x 220 mm) incl. 1 standard wall bracket (215 mm).
1 roller support incl. separate bracket from 601cm.
Brackets: 12 all together

 Mounting plate (660 x 390 mm) incl. 1 standard wall bracket (215 mm).
1 roller support incl. separate bracket from 601cm.
Brackets: 12 all together

Width in cm	Projection in cm					
	150	200	250	300	350	400
200	583					
	291					
	148					
	77					
250	686	1032				
	343	516				
	174	262				
	91	137				
300	789	1189	1695			
	395	594	847			
	200	302	431			
	104	157	224			
350	892	1346	1915	2629		
	446	673	958	1315		
	227	342	487	668		
	118	178	254	348		
400	995	1502	2135	2924	3738	
	498	751	1068	1462	1869	
	253	382	543	743	950	
	132	199	283	387	495	
450	1099	1659	2356	3218	4117	5950
	549	829	1178	1609	2058	2975
	279	421	599	818	1046	1512
	145	220	312	426	545	788
500	1201	1815	2576	3513	5115	6505
	601	908	1288	1756	2557	3253
	305	461	655	892	1299	1653
	159	240	341	465	677	861
550	1305	1972	2797	4317	5557	7060
	652	986	1398	2158	2779	3530
	331	501	711	1097	1412	1794
	173	261	370	572	736	935
600	1408	2129	3017	4659	5999	7615
	704	1064	1509	2329	3000	3808
	358	541	766	1184	1524	1935
	186	282	399	617	794	1008
650	1511	2285	3666	5000	6441	8171
	756	1143	1833	2500	3221	4085
	384	581	931	1270	1636	2076
	200	303	485	662	853	1082
651	1068	1614	2579	3538	4550	5797
	534	807	1289	1769	2275	2898
	271	410	655	899	1156	1473
	141	214	341	468	602	767
700	1137	1718	2748	3766	4845	6167
	569	859	1374	1883	2422	3083
	289	436	698	957	1231	1567
	151	227	364	499	641	816

3 arms are used from a width of 651 cm.

Extraction forces weinor Livona

Ceiling installation (on C20/25 concrete)

Extraction forces in N for roof installation

1 roof mounting bracket complete incl. cover
1 ceiling bracket per awning arm brackets: 8 all together plus 1 roller support with mounting plate incl. separate top mounting from 601 cm

Width in cm	Projection in cm					
	150	200	250	300	350	400
250	452	671				
300	523	777	1100			
350	595	882	1247	1706		
400	667	988	1393	1901	2433	
450	738	1093	1540	2095	2682	3860
500	810	1199	1686	2290	3314	4223
550	882	1304	1832	2794	3603	4586
600	953	1410	1979	3017	3892	4948
650	1025	1516	2380	3240	4180	5311
651	771	1116	1721	2338	2999	3813
700	823	1191	1836	2491	3195	4059

3 arms are used from a width of 651 cm.

Rafter installation

Shear forces in N per bracket for rafter installation

1 rafter bracket plus 1 standard wall bracket (215 mm), one of each for left and right, 1 rafter bracket plus 1 support roller with mounting plate as a central bracket from a width of 601 cm

1 rafter bracket plus 1 mounting plate for rafters plus 1 standard wall bracket (215 mm), one of each for left and right, 1 rafter bracket plus 1 mounting plate for rafters plus 1 support roller with mounting plate as a central bracket from a width of 601 cm

Width in cm	Projection in cm					
	150	200	250	300	350	400
200	1088					
	499					
250	1286	1943				
	594	860				
300	1483	2241	3198			
	689	995	1383			
350	1681	2538	3616	4973		
	784	1131	1567	2115		
400	1879	2836	4035	5533	8009	
	879	1266	1751	2356	3358	
450	2077	3133	4453	6092	8846	11298
	974	1401	1935	2597	3711	4702
500	2274	3431	4871	6652	9683	12353
	1069	1536	2118	2839	4064	5144
550	2472	3729	5289	8120	10519	13408
	1163	1671	2302	3447	4417	5585
600	2670	4026	5707	8764	11356	14463
	1258	1807	2486	3722	4770	6027
650	2868	4324	6872	9408	12192	15518
	1353	1942	2972	3998	5124	6468
651	2126	3154	4938	6759	8720	11113
	1053	1469	2190	2927	3719	4687
700	2266	3361	5264	7196	9286	11824
	1125	1568	2337	3118	3963	4990

3 arms are used from a width of 651 cm.

Awnings



Awning



Awning with Valance Plus and Tempura



Awning with Valance Plus and Paravento



Premium quality
Made in Germany

Textile awning with posts



PergoTex II and Tempura



Pergola awning Plaza Home and Paravento

Customised, systemised solutions

Patio roof and Glasoase®



Glasoase® with conservatory awning and all-glass elements



Patio roof with SUPER LITE fixed glazing



Terrazza patio roof with Sottezza sun protection



Pergola awning Plaza Pro with Paravento and VertiTex

Patent no			
EP1310609	1541776	EP0916781	0994221
1403442	2072709	EP0959195	1206609
1382770	0745742	EP0942114	1099808

Last revised: 03/2016

The current issue can be found at www.weinor.de/fachpartner/service/downloadcenter



118548